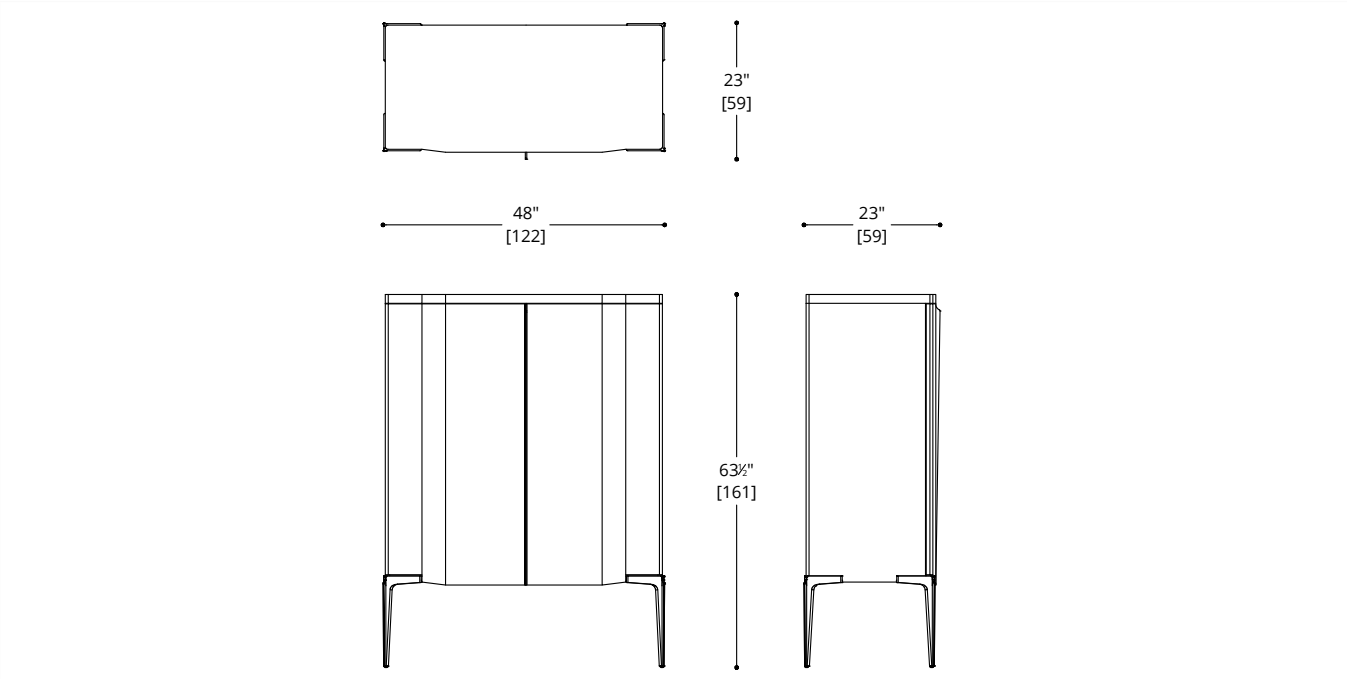


# ATELIER PURCELL

## KHEPERA ARMOIRE



## KHEPERA ARMOIRE

### LEGS & HANDLES

Standard Metal: Brushed Brass (SMBB33), Brushed Stainless Steel (SMBS35).

Hand Patinated Metal: Hand Patinated Light Bronze (HPLB36), Hand Patinated Dark Bronze (HPDB37).

### CARCASS

Laquer  
Standard Wood  
Premium Wood  
High Build Polished

### CARCASS DIMENSIONS

47" W x 21.5" L x 49" H



---

#### NOTES:

PLEASE CONFIRM DETAILS OF THIS TEAR SHEET WITH YOUR LOCAL SALES ASSOCIATE.